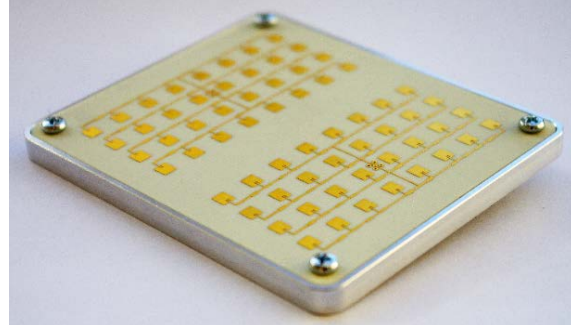


Overview 24 Transceiver.

«Overview 24» is a highly sensitive transceiver sensor with in-phase and quadrature outputs. Built-in low-noise microwave amplifier (LNA) «Overview 24» allows customer to increase the level of the input signal, and small dimensions make it possible to integrate it into various types of devices in which it is needed.



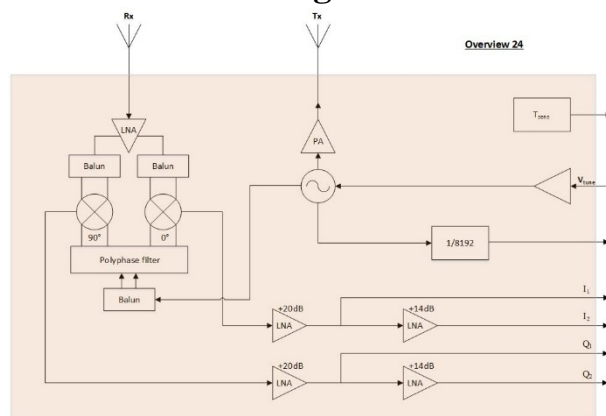
Signal spectrum



Excellent to use in:

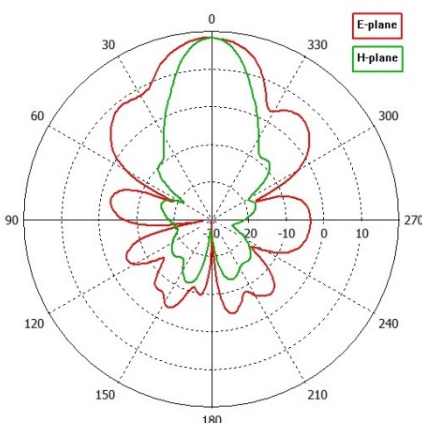
- ✓ Traffic supervision
- ✓ Object speed measurement systems
- ✓ Distance calculation
- ✓ Sensors

Blockdiagram



Overview characteristics

Argument	Value	Dimensions													
Frequency range	24.05 – 24.25 GHz *(BW)														
Horizontal -3dB beamwidth	16°														
Vertical -3dB beamwidth	24°														
Side lobe level (H-plane)	-29 dB														
Side lobe level (E-plane)	-11 dB														
T _x Gain	17 dBi														
R _x Gain	16 dB														
Ambient temperature range	-25...+85 °C														
Storage temperature range	-40...+105 °C														
IF 1 st cascade	+20 dB *(IF 1 st)														
IF 2 nd cascade	+14 dB *(IF 2 nd)														
Deviation (*adjustment on request)	200 MHz with 0...+5V	*deviation range: 50 – 1000 MHz													
Description keys	d – frequency divider ON; n – frequency divider OFF;	<table border="1"> <tr> <td rowspan="4">*BW</td> <td>0.20</td> <td>200 MHz</td> <td></td> </tr> <tr> <td>0.48</td> <td>480 MHz</td> <td>*IF 1st: 14 dB</td> </tr> <tr> <td>0.60</td> <td>600 MHz</td> <td>*IF 2nd: 14 dB</td> </tr> <tr> <td>1.0</td> <td>1000 MHz</td> <td>*IF 1st: 10 dB *IF 2nd: 14 dB</td> </tr> </table>	*BW	0.20	200 MHz		0.48	480 MHz	*IF 1 st : 14 dB	0.60	600 MHz	*IF 2 nd : 14 dB	1.0	1000 MHz	*IF 1 st : 10 dB *IF 2 nd : 14 dB
*BW	0.20	200 MHz													
	0.48	480 MHz		*IF 1 st : 14 dB											
	0.60	600 MHz		*IF 2 nd : 14 dB											
	1.0	1000 MHz	*IF 1 st : 10 dB *IF 2 nd : 14 dB												
Example: 0.20 – d – 09.2018 – 01	⇔ BW=200 MHz, Div.=ON, Sep. 2018, №1														



- | Description | Typical Value | 2.54 mm 2x5 |
|---|----------------------------|-------------|
| 1 Non connected | N.C. | |
| 2 5 V (Voltage) | 5 V | |
| 3 GND (common) | GND | |
| 4 Quadrature output 2nd cascade | Q ₂ | |
| 5 Inphase output 2nd cascade | I ₂ | |
| 6 Voltage tune | V _{tune} | |
| 7 Inphase output 1st cascade | I ₁ | |
| 8 Quadrature output 1st cascade | Q ₁ | |
| 9 N.C. or Frequency divider output | N.C. or Div _{out} | |
| 10 N.C. or Output of temperature sensor | N.C. or T _{sens} | |